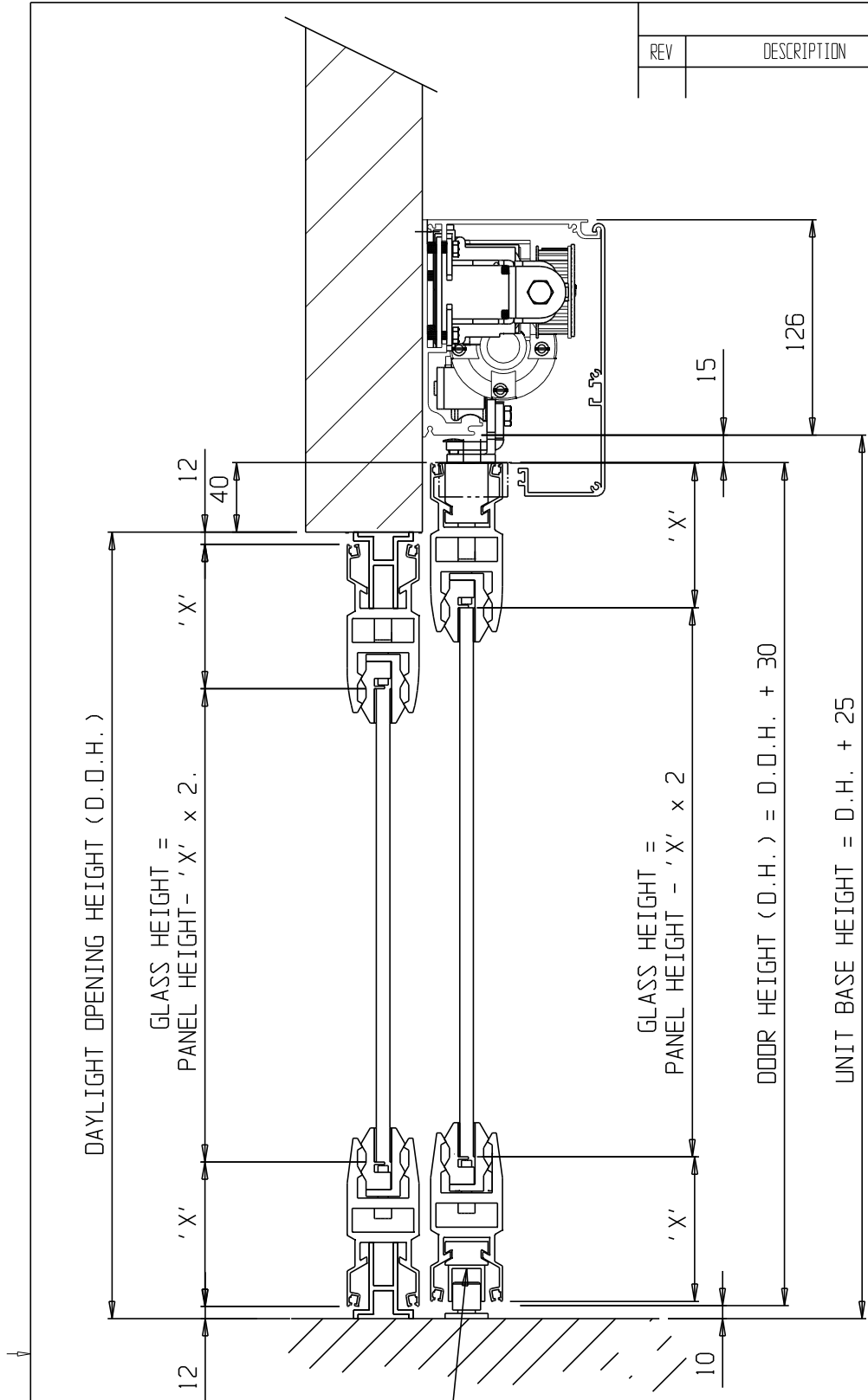


REVISIONS			
REV	DESCRIPTION	DATE	APPROVED



94X GUIDE CHANNEL TO BE
FULL WIDTH OF DOOR
AS ILLUSTRATED



TITLE AUTO UNIT DEPER 125
HEIGHT CALC

GLASS THICK	'X'
8 mm	83
10 mm	85
12 mm	87

DRAWN: D. RUDMAN.	08/10/2013
CHECKED:	
APPROVED:	

SIZE A4	PART NO.
SCALE x:x	DWG NO.
SHEET	