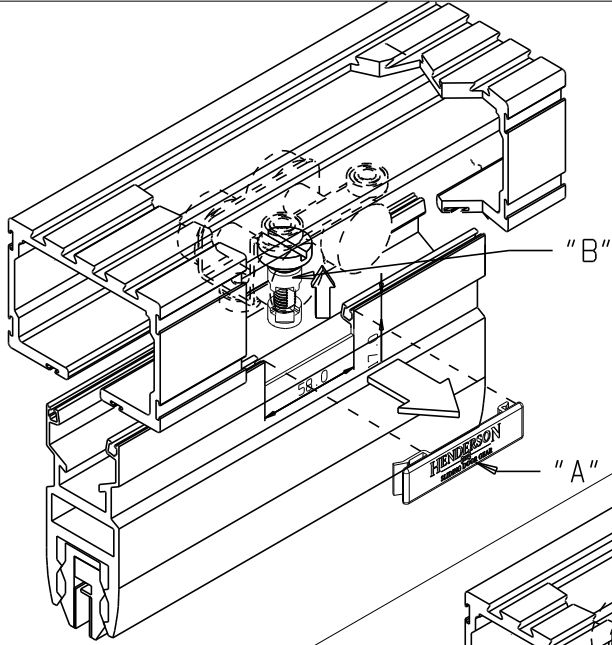


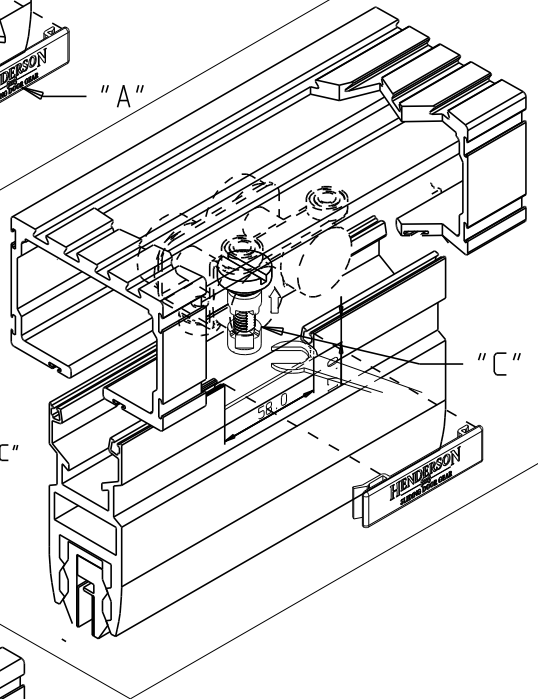
STEP 1

REMOVE COVER "A"
LIFT CASTLE LOCK "B"



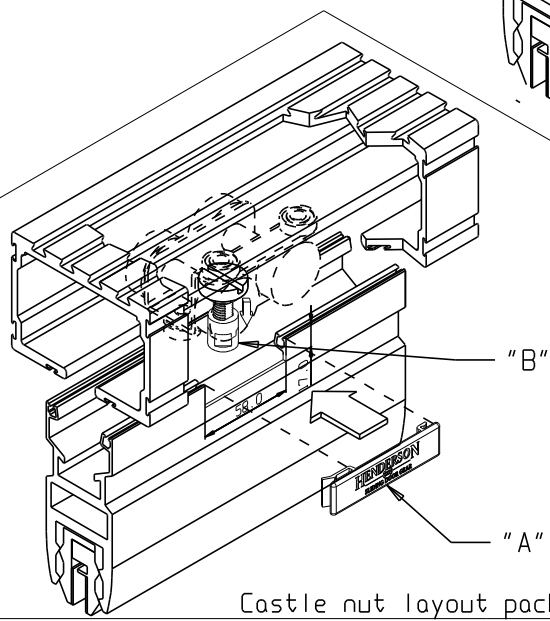
STEP 2

ADJUST SWIVEL NUT "C"
TO CORRECT HEIGHT



STEP 3

LOWER CASTLE NUT "B"
ENSURE LOCATION WITH
SWIVEL NUT
REPLACE COVER "A"



Castle nut layout packaging

