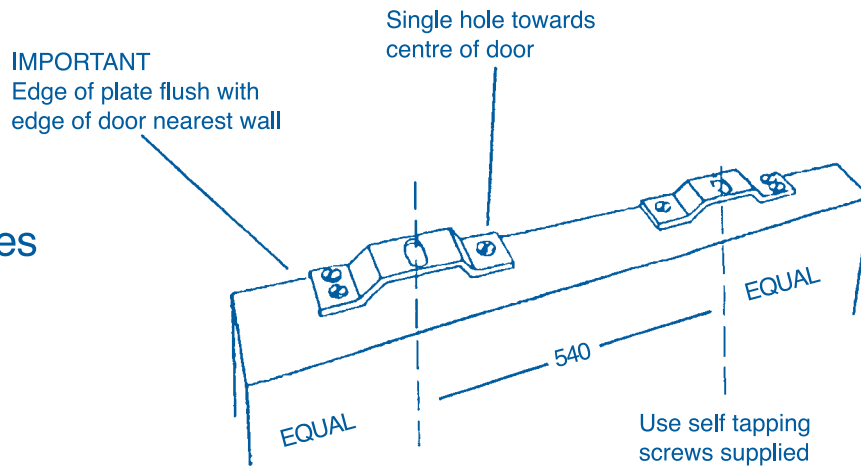
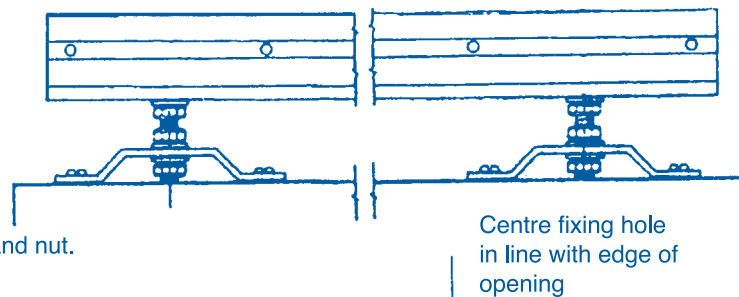


**1** screw top plates to top of door



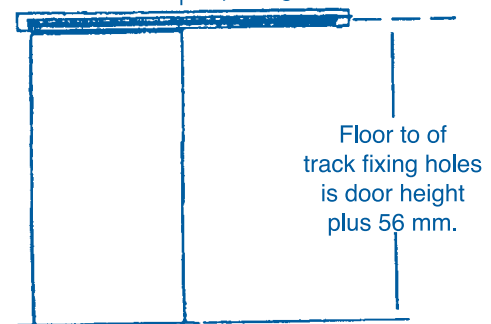
**2** mount top assembly

Assemble nut and washer to adjusting bolts, insert through lateral adjusting slots in top plates - secure with washer and nut.



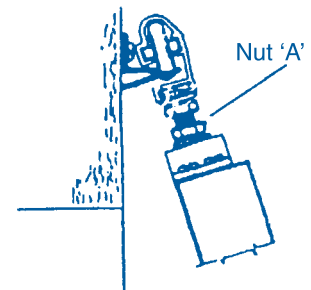
**3** fix track secure and level to flat smooth surface

Door height plus 56mm gives height of track fixing screws. Secure track at centre hole (in line with edge of opening) Level - and secure with self tapping screws supplied.



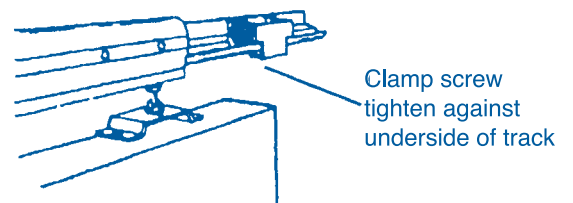
**4** lift door onto track

Lift door onto track as illustrated and lower to a vertical position. Height adjustment: Loosen off nut 'A' and adjust on lock nut underneath top plate, to give 5 mm floor clearance, then adjust for wall clearance (5-15 mm as required). Tighten nut 'A' securely.



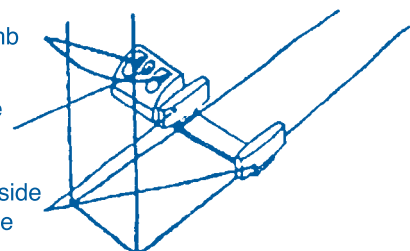
**5** position end stops

Fix end stop so door is 20mm short of fully open to maintain continuous engagement with bottom guide.



**6** fix guide flush with jamb

Screw guide to jamb  
Loosen screw to adjust guide shoes, then tighten  
Adjustable guide shoe each side of door to allow minimum side movement.



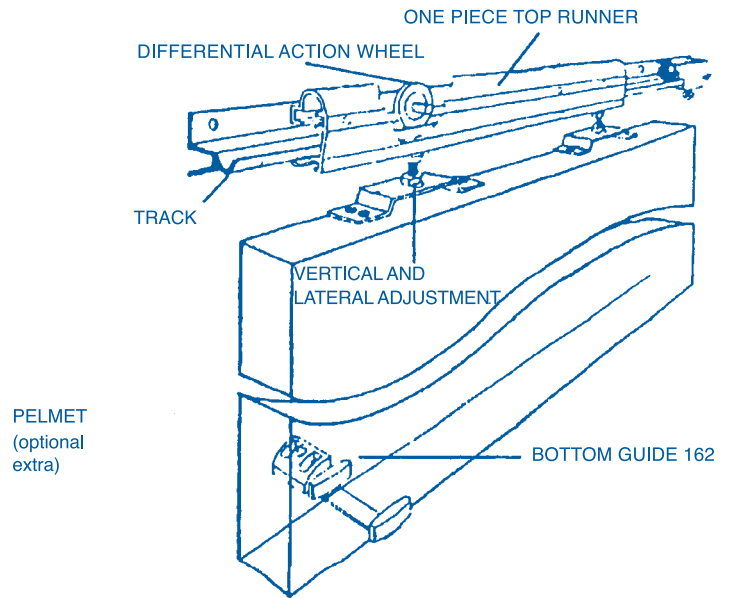
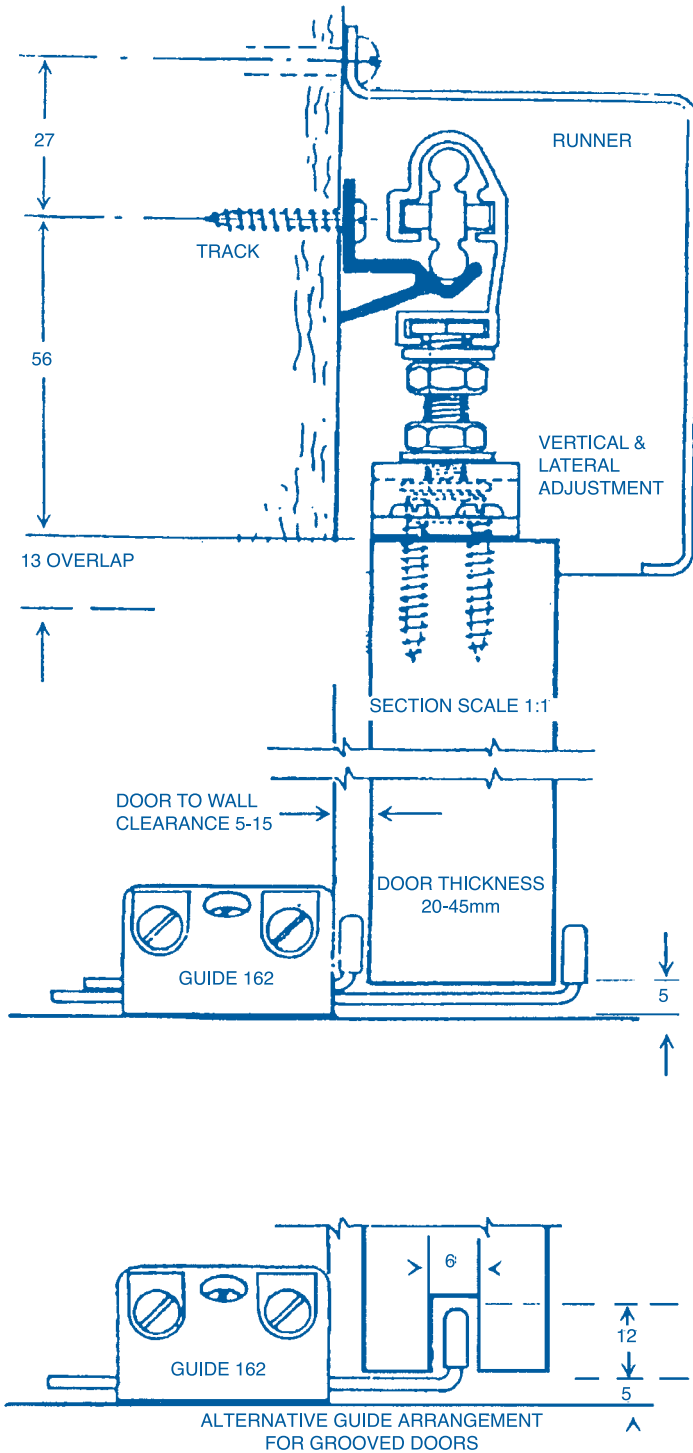
CAPACITY VERMOë

Max door weight  
Maks. Deurgewig .....36kg

Door thickness  
Deurdikte ..... 20 - 45mm

Door width  
Deurwydte .....min. 760-max. 915

easy to fix  
sliding door gear



TRACK CENTRE  
FIXED IN LINE WITH  
EDGE OF OPENING

